

## pPLK/GFP+Puro-LC3 shRNA-1

Cat No.: PPL00191-3a

Quantity: Please refer to the label (tube)

**Gene/insert name:** LC3 shRNA-1

**Insert size:** 67bp

**Species:** Homo sapiens (human)

**Gene ID:** 81631

**Accessions:** NM\_022818.4

**Vector backbone:** pPLK GFP+Puro

**Tag:** GFP(N-term)

**Backbone manufacturer:** N/A

**Vector type:** Lentiviral interference

**Backbone size w/o insert:** 8102bp

**Cloning site 5':** BamH I

**Site destroyed during cloning:** NO

**Cloning site 3':** EcoR I

**Site destroyed during cloning:** NO

**Bacterial resistance(s):** Ampicillin

**Growth strain(s):** Stb13

**Growth temperature:** 37 °C

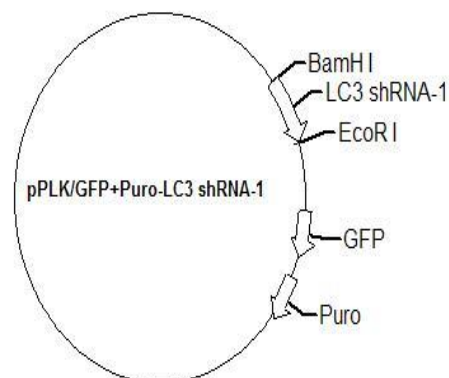
**High or low copy:** High Copy

**Selectable markers:** Puromycin

**Plasmid description:** Mammalian shRNA Knockdown vector of Homo sapiens microtubule associated protein 1 light chain 3 beta

**Alt name:** LC3A; ATG8E; MAP1ALC3; MAP1BLC3;MAP1LC3A

**Map:**



**Buffer :**

Sterile distilled water.

**Storage:**

The product at -20°C for up to 24 months.

**Note:**

For research use only, not for use in diagnostic procedure.