

## pcDNA3.1-ER-BETA

Cat No.: PPL00807-2a

Quantity: Please refer to the label (tube)

**Gene/insert name:** ER-BETA

**Insert size:** 1593bp

**Species:** Homo sapiens (human)

**Gene ID:** 2100

**Accessions:** NM\_001437

**Vector backbone:** pcDNA3.1(+)

**Tag:** Flag(N-term)

**Backbone manufacturer:** Invitrogen

**Vector type:** Mammalian Expression

**Backbone size w/o insert:** 5428bp

**Cloning site 5':** BamH I

**Site destroyed during cloning:** NO

**Cloning site 3':** Hind III

**Site destroyed during cloning:** NO

**Bacterial resistance(s):** Ampicillin

**Growth strain(s):** Top10

**Growth temperature:** 37 °C

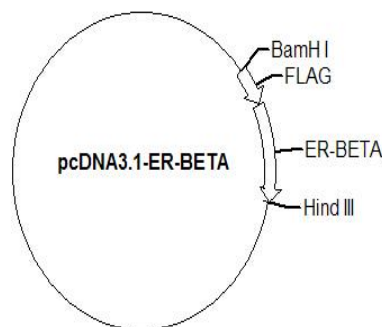
**High or low copy:** High Copy

**Selectable markers:** Neomycin

**Plasmid description:** Mammalian Expression vector of Homo sapiens estrogen receptor 2 with N terminal Flag tag

**Alt name:** Erb; ESRB; ESTRB; NR3A2; ESR2; ESR-BETA

**Map:**



**Buffer :**

Sterile distilled water.

**Storage:**

The product at -20°C for up to 24 months.

**Note:**

For research use only, not for use in diagnostic procedure.