

## pCD513B-1-RANBP1

Cat No.: PPL00814-4a

Quantity: Please refer to the label (tube)

**Gene/insert name:** RANBP1

**Insert size:** 837bp

**Species:** Homo sapiens (human)

**Gene ID:** 5902

**Accessions:** NM\_001278639

**Vector backbone:** pCDH-CMV-MCS-EF1-CopGFP-T2A-I

**Tag:** CopGFP(C-term)

**Backbone manufacturer:** Clontech

**Vector type:** Mammalian Expression, Lentiviral

**Backbone size w/o insert:** 8189bp

**Cloning site 5':** Xba I

**Site destroyed during cloning:** NO

**Cloning site 3':** EcoR I

**Site destroyed during cloning:** NO

**Bacterial resistance(s):** Ampicillin

**Growth strain(s):** Stb13

**Growth temperature:** 37 °C

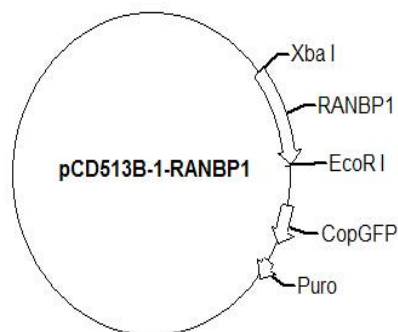
**High or low copy:** High Copy

**Selectable markers:** Puromycin

**Plasmid description:** Lentiviral expression vector of Homo sapiens RAN binding protein 1 with the unfused CopGFP protein at the C-terminus

**Alt name:** HTF9A

**Map:**



**Buffer :**

Sterile distilled water.

**Storage:**

The product at -20°C for up to 24 months.

**Note:**

For research use only, not for use in diagnostic procedure.