

## pBABE-Puro-CNOT1

Cat No.: PPL00869-2a

Quantity: Please refer to the label (tube)

**Gene/insert name:** CNOT1

**Insert size:** 4656bp

**Species:** Homo sapiens (human)

**Gene ID:** 23019

**Accessions:** NM\_206999

**Vector backbone:** pBABE-puro

**Tag:** Flag(N-term);HA(C-term)

**Backbone manufacturer:** Addgene

**Vector type:** Mammalian Expression, Retroviral

**Backbone size w/o insert:** 5169bp

**Cloning site 5':** BamH I

**Site destroyed during cloning:** NO

**Cloning site 3':** EcoR I

**Site destroyed during cloning:** NO

**Bacterial resistance(s):** Ampicillin

**Growth strain(s):** Stb13

**Growth temperature:** 37 °C

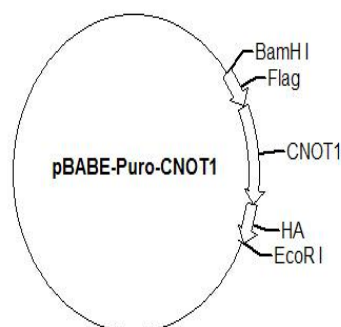
**High or low copy:** High Copy

**Selectable markers:** Puromycin

**Plasmid description:** Retroviral Expression vector of Homo sapiens CCR4-NOT transcription complex subunit 1 with N terminal Flag tag and C terminal HA tag

**Alt name:** AD-005; CDC39; NOT1; NOT1H

**Map:**



**Buffer :**

Sterile distilled water.

**Storage:**

The product at -20°C for up to 24 months.

**Note:**

For research use only, not for use in diagnostic procedure.