

pIRES2-EGFP-OVAL-LC3

Cat No.: PPL80001-2a

Quantity: Please refer to the label (tube)

Gene/insert name: OVAL-LC3

Insert size: 1551bp

Species: Gallus gallus (chicken);Mus musculus (house mou

Gene ID: 396058

Accessions: NM_205152;AK003122

Vector backbone: pIRES2-EGFP

Tag: EGFP(C-term)

Backbone manufacturer: Clontech

Vector type: Mammalian Expression

Backbone size w/o insert: 5300bp

Cloning site 5': EcoR I

Site destroyed during cloning: NO

Cloning site 3': BamH I

Site destroyed during cloning: NO

Bacterial resistance(s): Kanamycin

Growth strain(s): Top10

Growth temperature: 37 °C

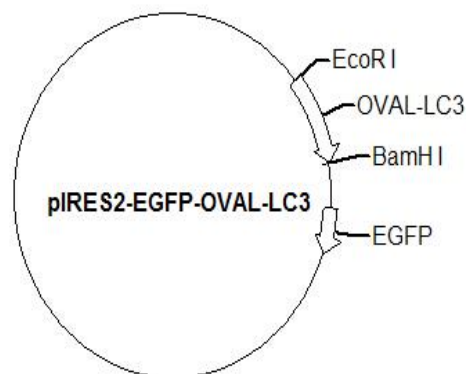
High or low copy: High Copy

Selectable markers: Neomycin

Plasmid description: Mammalian Expression vector of Gallus gallus ovalbumin, fused with Mus musculus microtubule-associated protein 1 light chain 3 alpha, as well as the unfused EGFP protein at the C-terminus

Alt name: SERPINB14/Map1lc3a; LC3a; 1010001H21Rik; 4922501H04Rik

Map:



Buffer :

Sterile distilled water.

Storage:

The product at -20°C for up to 24 months.

Note:

For research use only, not for use in diagnostic procedure.